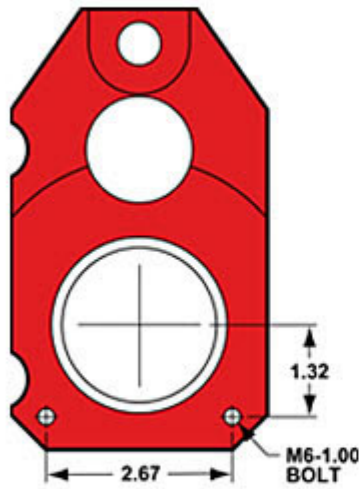


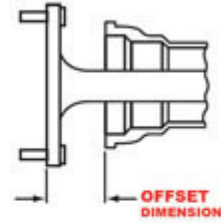
Rear End / Axle Housing Flange

Confirm The Configuration!



GM G-Body 7.625 (7 5/8) in.
Rear Axle Flange Dimensions

Confirm Offset Measurement!



AXLE FLANGE
CROSS-SECTION

Axle Flange Cross-Section

GM G-Body
Axle Offset
Dimension
2.620 in.